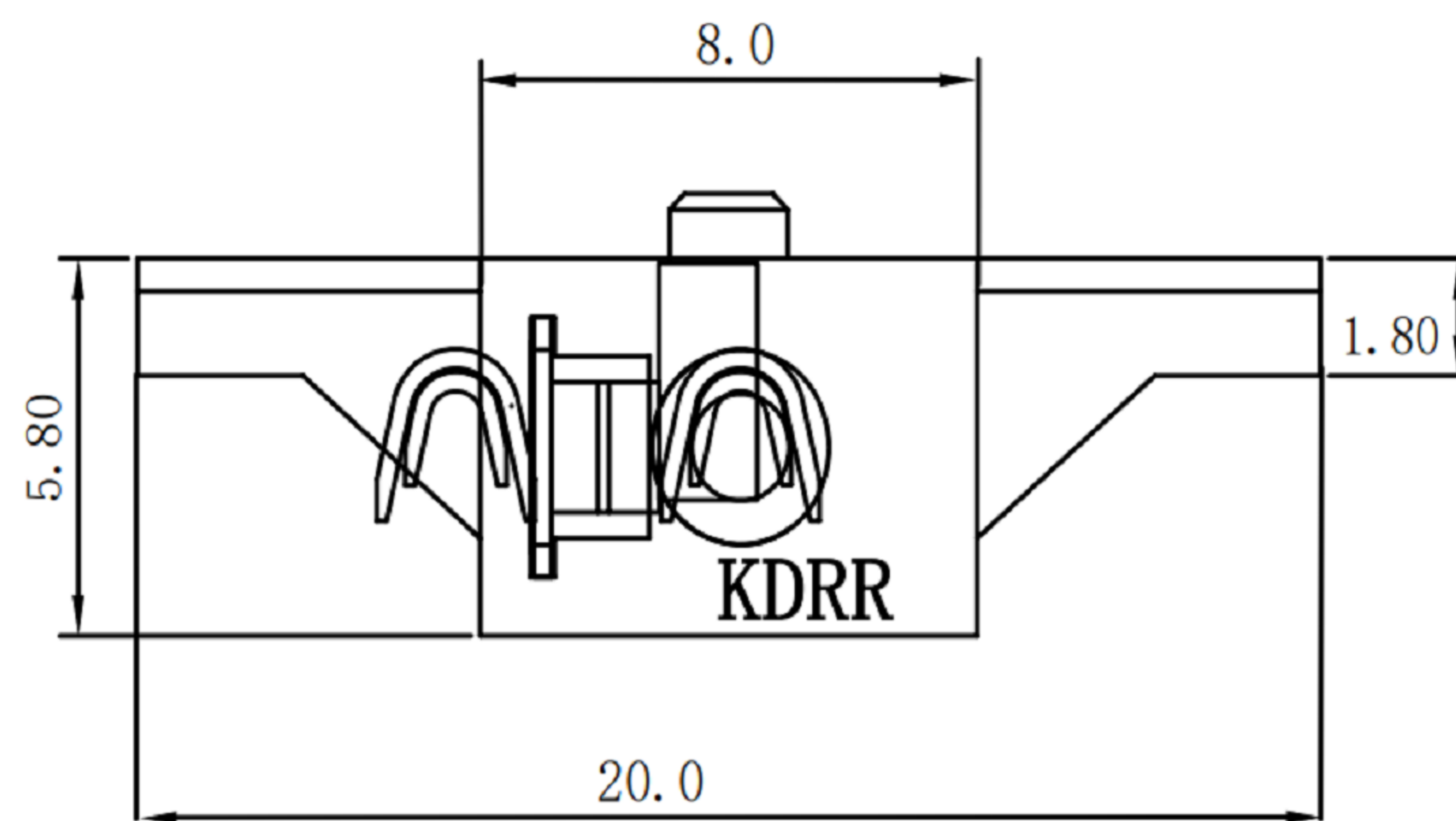
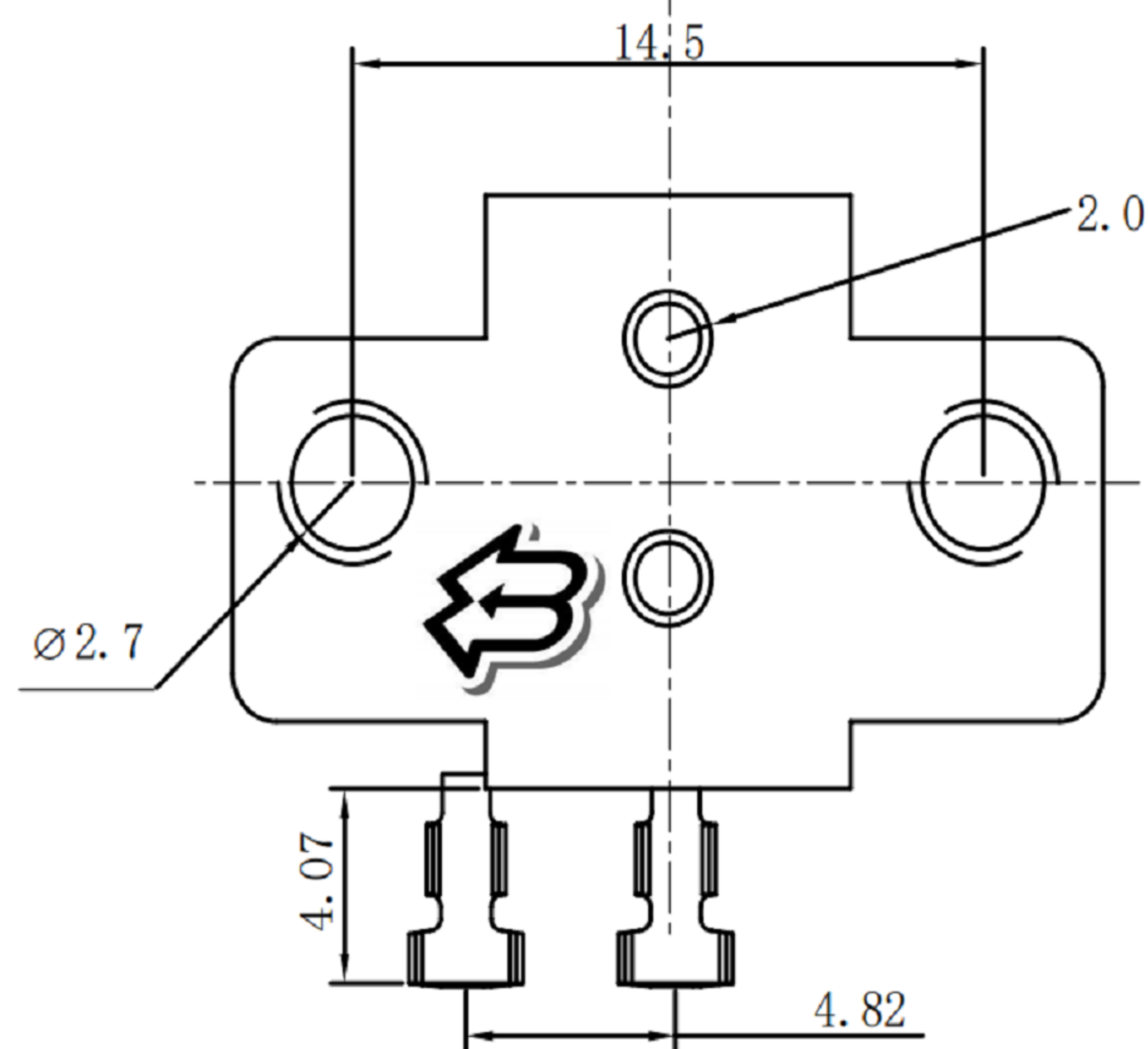


**MATING PLUG**  
Jack Insertion Depth: 8.0mm



**SPECIFICATION**

1. Rating : DC 12V 30V , 1.0A 3.0A
2. Contact resistance :  $\leq 30m\Omega$
3. Insulation resistance :  $\geq 100M\Omega$
4. Withstand voltage : 500VAC
5. Insertion and extraction force : 3-20N
6. life test : 5,000 cycles



NO.	DESCRIPTION	QTY	MATERIAL	PLATING
⑥	COVER	1	PF	
⑤	CONTACT FOOT	1	BRASS	Sn-Plating
④	PIN	1	BRASS	Ni-Plating
③	SPRING	1	PHOSPHOR BRONZE	Sn-Plating
②	FLAT PIECE	1	BRASS	Sn-Plating
①	HOUSING	1	PBT	

ITEM NO.	DESCRIPTION	DRAWN	DATE
4	更新材質	Jack	050420
3	更新尺寸	Jack	121119
2	更新尺寸標示位置	Jack	082719
1	更新尺寸	Jack	080519

**东莞市高迪电子有限公司**  
 Dong Guan KDRR Electronic Switch Jack Co., Ltd.

TOLERANCE UNLESS OTHERWISE STATED:	Up to 5 ±0.2	Above 5 ~ 15 ±0.3	Above 15 ~ 30 ±0.4	Above 30 ~ 50 ±0.5	Angle ±0.3°
	3RD. ANGEL'S			UNITS	MM

DRAWN BY:	DATE	MAT'L	TITLE	JACK		
Ming Ming Zou	6/8/23					
CHECKED BY:	DATE	FINISH	MODLE	DC JACK		
Ning Ning Su	6/8/23					
APPROVED BY:	DATE	SCALE	DWG NO.	GD-DC-1181X		SIZE
Jia Xiang	6/8/23	1:1				A4
		SHEET NO.	PART NO.			VER
		1 of 1				R4